

# INSTRUCTIONS

## StarPet Pipette Filler

### INTRODUCTION

The StarPet Pipette Filler may be used with glass or plastic pipettes to facilitate the pipetting of a wide range of liquids. Pipettes within the volume range of 1ml to 25ml can be used. When correctly used, the liquid should only come into contact with the pipette.

### OPERATING INSTRUCTIONS

#### 1. Fitting the Pipette

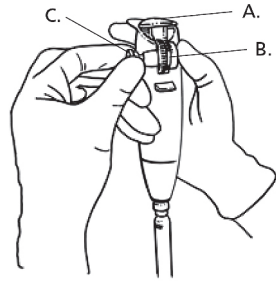
Carefully attach the pipette by inserting it into the silicone holder inside the nose cone. DO NOT use force.

#### 2. Choosing the Correct Thumb Wheel Setting

The StarPet Pipette Filler is equipped with a rotating thumb wheel which advances the piston up and down the barrel for aspiration and dispensing. The thumb wheel can be set at two different dispense resolutions for maximum accuracy, depending on the volume of liquid being dispensed.

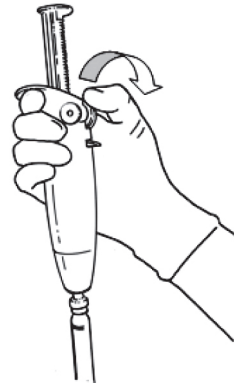
Fast filling for volumes of 10ml to 25ml is possible when the thumb wheel and fixing button are positioned to the right. This is the default setting. When working with pipettes smaller than 10ml, we recommend that you choose the fine setting – when the thumb wheel and fixing button are positioned to the left.

To change settings, the piston must be in its lowest position (Fig. 1A). To change from the default (fast) setting to the fine setting, use your thumb to push the thumb wheel button all the way over to the left (Fig. 1B). With the other hand, rotate the fixing button 180° until the gear locator is locked in its respective groove (Fig. 1C), thus holding the thumb wheel in its new, left position. The pipette is now ready for work in its fine setting, as recommended for volumes less than 10ml.

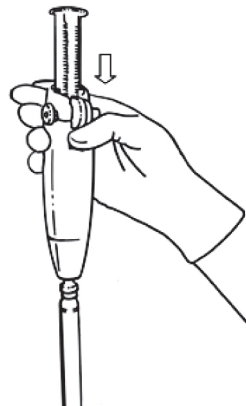


**Fig. 1:** Choosing the correct thumb wheel setting

- A Piston in low position
- B Push
- C Rotate the fixing button



**Fig. 2:** Rotate the thumb wheel to fill the pipette



**Fig. 3:** Press the dispense lever down to empty the pipette with gravity

### 3. Filling the Pipette

Place the tip of the pipette into the liquid to be aspirated. With your thumb, rotate the thumb wheel downwards (Fig. 2) to allow the liquid to fill the pipette so that the meniscus is level with the required mark.

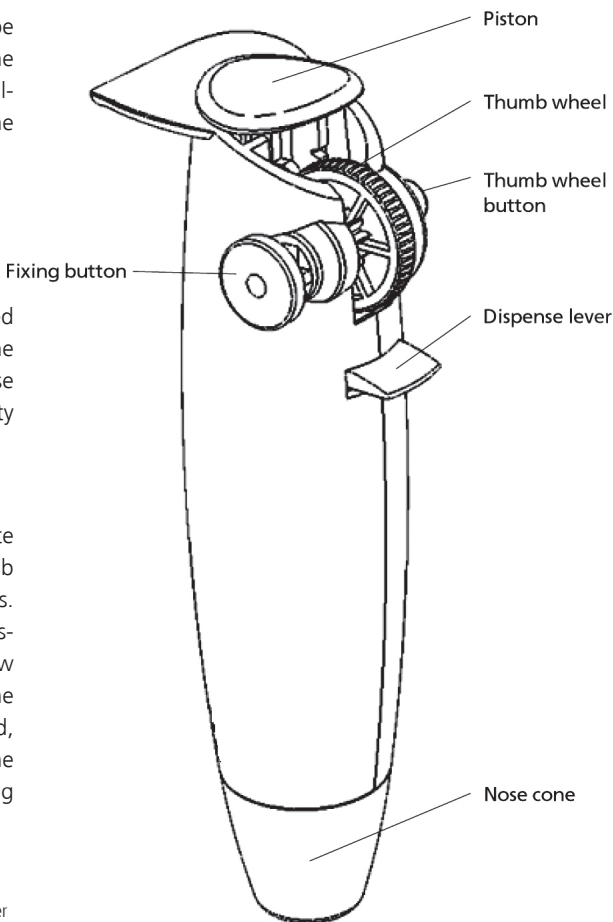
**NOTE: DO NOT ALLOW LIQUID TO ENTER THE STARPET PIPETTE FILLER**

### 4. Dispensing

Hold the receiving vessel in an inclined position, placing the pipette tip against the receiving vessel's wall. Press the dispense lever down to empty the pipette by gravity (Fig. 3).

### 5. 'Blow-out' Pipettes

As soon as the meniscus in the pipette comes to a standstill, rotate the thumb wheel upwards to expel the last few drops. To ensure the complete volume is dispensed, wipe the pipette tip upwards a few millimetres along the inside wall of the receiving vessel. Using your free hand, push the piston to its lowest position. The Pipette Filler is ready for a new pipetting operation.



### Spare Parts Ordering Information

Cat. No: E4266-0040 Replacement Silicone Pipette Holder

See the STARLAB Catalogue for our range of non-sterile and sterile serological pipettes

[www.starlabgroup.com](http://www.starlabgroup.com)



#### STARLAB GmbH

Kurt-Fischer Str. 22  
D-22926 Ahrensburg  
Germany

T: +49 (0)4102 6044 0  
F: +49 (0)4102 6044 0  
info@starlab.de

#### STARLAB (UK) Ltd

4 Tanners Drive  
Milton Keynes MK14 5NA  
United Kingdom

T: +44 (0)1908 283800  
F: +44 (0)1908 283802  
infoline@starlab.co.uk

#### STARLAB-FRANCE

38 Avenue Henri Barbusse  
92220 Bagneux  
France

T: +33 (0)1 45 3652 80  
F: +33 (0)1 45 3604 86  
info@starlab-france.com

#### STARLAB Srl

Via Corelli 36/5  
20134 Milano  
Italy

T: +39 02 7020 1040  
F: +39 02 7020 1033  
info@starlabitalia.it

#### STARLAB India Ltd

1st Floor, Old No: 322  
New No: 24 Thambu Chetty Street  
Chennai 60001, India

T: +91 44 42130 702  
F: +91 44 42130 701  
info@starlab.co.in